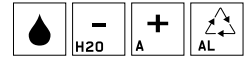


# Flaps

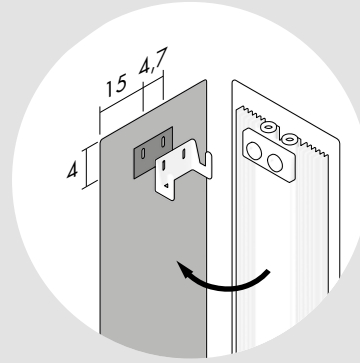
DESIGN VICTOR VASILEV



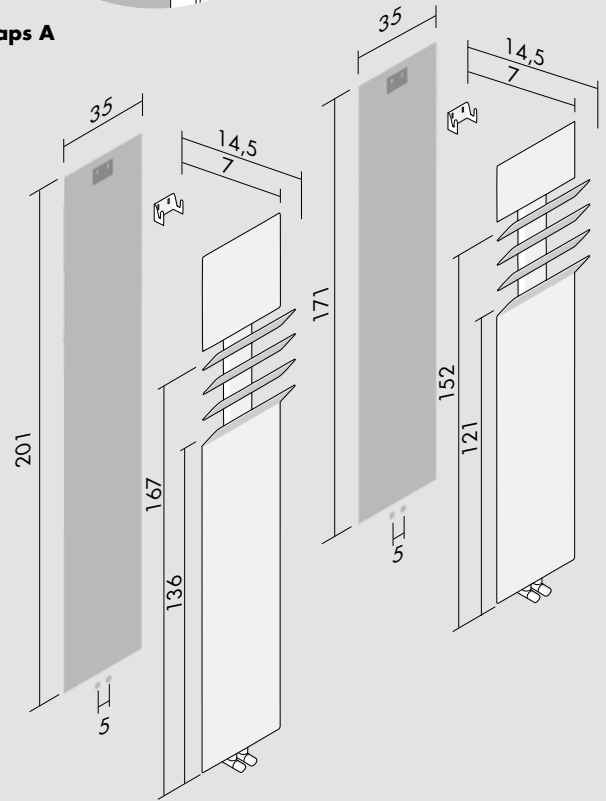
Kcal = Watt x 0.860  
BTU = Watt x 3.413

Watt  $\Delta t$  60° = Watt  $\Delta t$  50° x 1.277  
Watt  $\Delta t$  40° = Watt  $\Delta t$  50° x 0.741  
Watt  $\Delta t$  30° = Watt  $\Delta t$  50° x 0.504  
Watt  $\Delta t$  20° = Watt  $\Delta t$  50° x 0.292

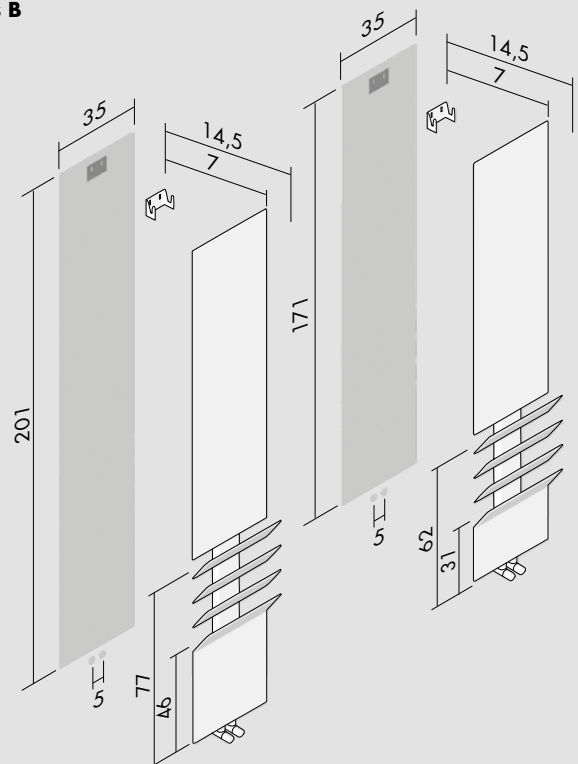
p max = 6.5 bar



**Flaps A**

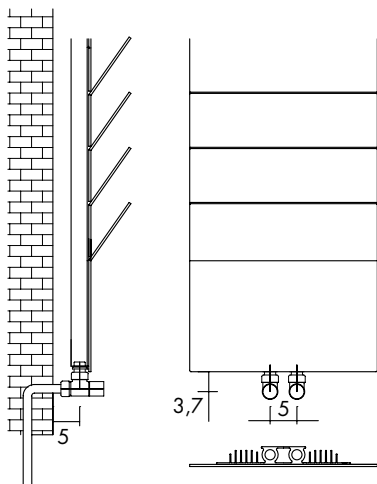


**Flaps B**



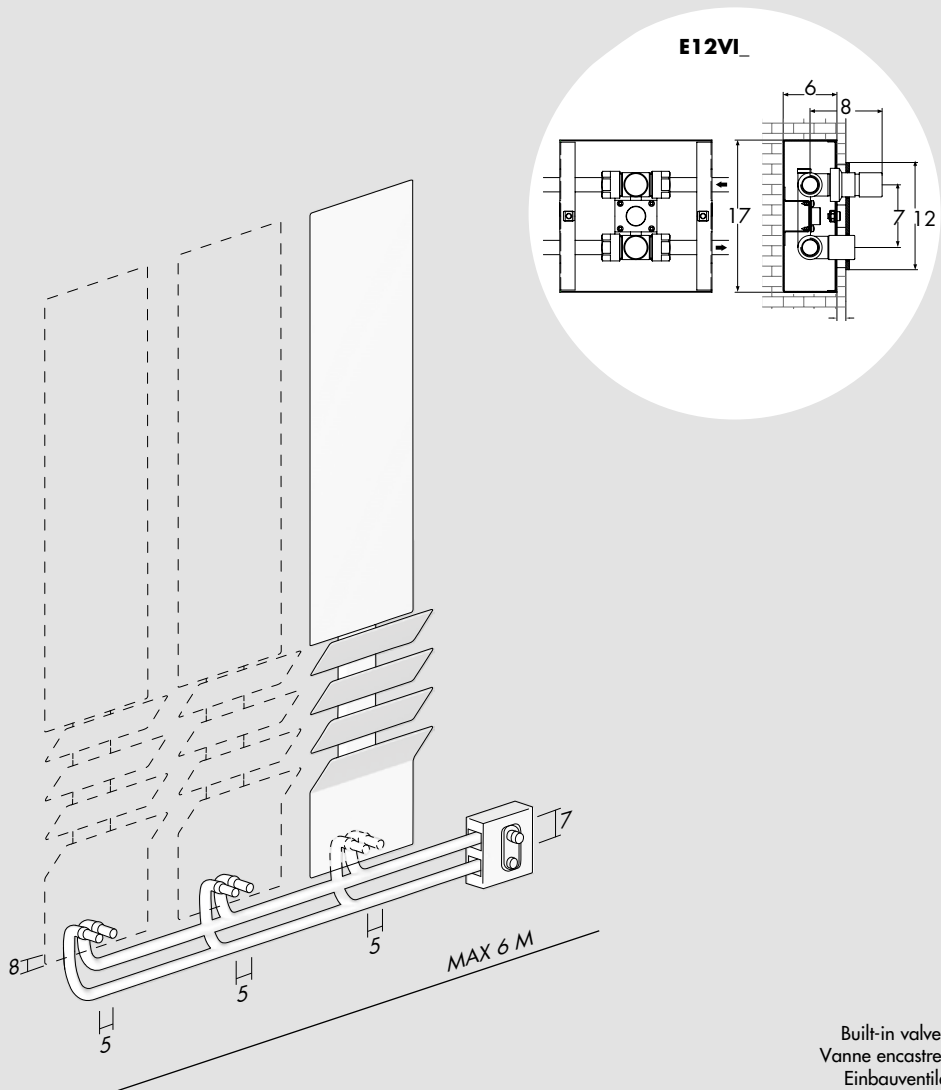
[F]

Standard connection / Raccord standard  
Standard Anschluss / Conexión estándar



[H]

Special connection / Raccord spéciale / Speziell Anschluss / Conexión especial



Built-in valves  
Vanne encastrer  
Einbauventile  
Válvulas de empotrar

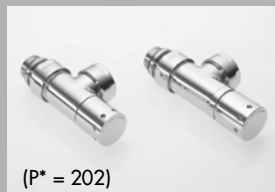
Flaps A

H cm	L cm	l* cm	art*	lt*	watt Δt 30°	watt Δt 50°
171.0	35.0	5.0	FPA171001_	1.2	290	575
201.0	35.0	5.0	FPA201001_	1.4	353	701

Flaps B

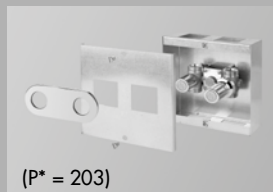
H cm	L cm	l* cm	art*	lt*	watt Δt 30°	watt Δt 50°
171.0	35.0	5.0	FPB171001_	1.2	290	575
201.0	35.0	5.0	FPB201001_	1.4	353	701

Optional



Reverse Valve  
Vanne reverse  
Reverse Ventil  
Válvula a escuadra inversa

[BIAN] **E12RVB**  
[CROM] **E12RVB**



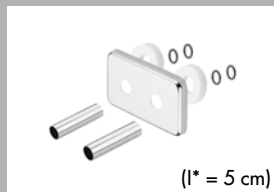
Built-in valves  
Vanne encastrer  
Einbauventile  
Válvulas de empotrar

[BIAN] **E12VIB**  
[CROM] **E12VIR**



Thermostatic head  
Tête thermostatique  
Thermostatkopf  
Cabezal termostático

[BIAN] **VTTB**  
[CROM] **VTTR**



Sleeving kit  
Kit couvre tuyau  
Rosetten  
Kit cubre tubo

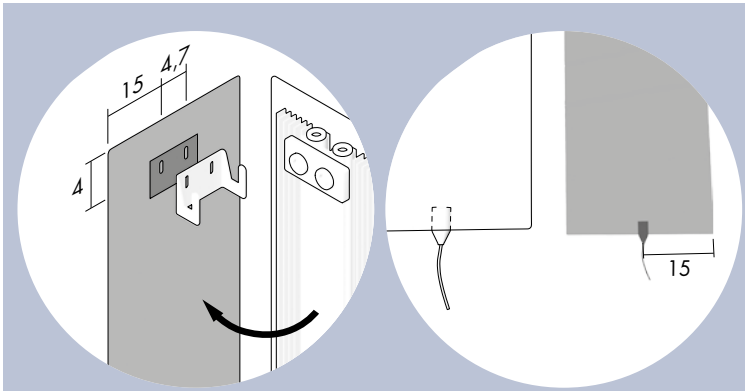
[BIAN] **C5B**  
[CROM] **C5R**



Towel hooks  
Patère  
Crochet das Bugel  
Percha

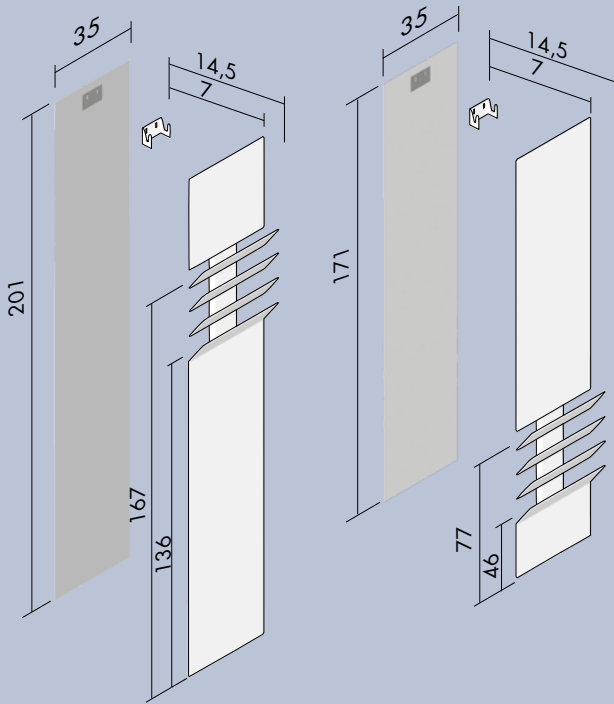
[CROM] **AFTR**  
[COLOUR] **AFTC**  
[GOLD] **AFTG**

art\* = item / modèle / Artikel / artículo    l\* = pipe centres / distance entre depart et retour / Achsabstand / distancia entre las conexiones  
lt\* = water content for each element / volume d'eau pour chaque element / Wassergehalt für Element / contenido de agua por cada elemento  
P\* = page / page / Seite / página



**Flaps A**

**Flaps B**



**Flaps A**

H cm	L cm	art*	watt
171.0	35.0	<b>EC FPA171001_</b>	<b>500</b>
201.0	35.0	<b>EC FPA201001_</b>	<b>600</b>

**Flaps B**

H cm	L cm	art*	watt
171.0	35.0	<b>EC FPB171001_</b>	<b>500</b>
201.0	35.0	<b>EC FPB201001_</b>	<b>600</b>

**Optional**



Receiver  
Récepteur  
Empfänger  
Receptor

**R10**



Digital chronothermostat  
Chronothermostat digital  
Der digital Chronothermostat  
Cronotermostato digital

**T10**



Towel hooks  
Patère  
Crochet das Bugel  
Percha  
[CROM] **AFTR**  
[COLOUR] **AFTC**  
[GOLD] **AFTG**

art\* = item / modèle / Artikel / artículo